

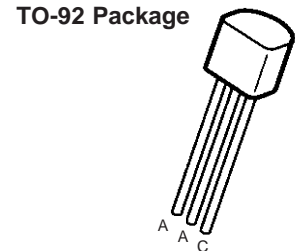
### Schottky Diode

$I_{FAV} = 2 \text{ A}$   
 $V_{RRM} = 60 \text{ V}$   
 $V_F = 0.75 \text{ V}$

$V_{RSM}$ V	$V_{RRM}$ V	Type	Marking on product
60	60	DSS 2-60AT2	D2-60A
60	60	DSS 2-60AT2AP	D2-60A

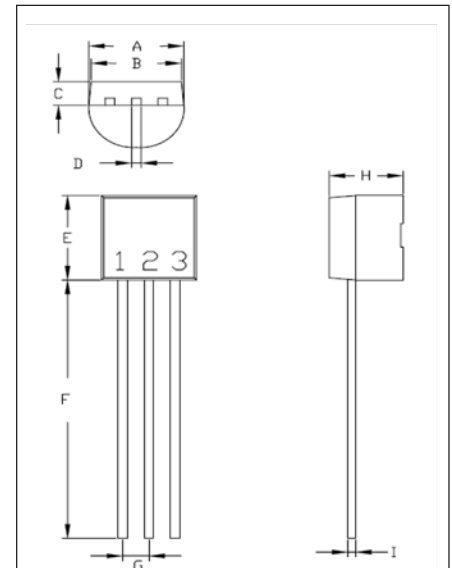


Symbol	Conditions	Maximum Ratings	
$I_{FRMS}$		8	A
$I_{FAV}$	$T_C = 85^\circ\text{C}$ ; rectangular, $d = 0.5$	2	A
$I_{FSM}$	$T_{VJ} = 45^\circ\text{C}$ ; $t_p = 10 \text{ ms}$ (50 Hz), sine	10	A
$(dv/dt)_{cr}$		1000	V/ $\mu\text{s}$
$T_{VJ}$		-40...+175	$^\circ\text{C}$
$T_{VJM}$		175	$^\circ\text{C}$
$T_{stg}$		-40...+125	$^\circ\text{C}$
$P_{tot}$	$T_S = 25^\circ\text{C}$	1.8	W
Weight	typical	0.5	g



A = Anode C = Cathode

#### TO-92 Package Outline



Leads:

- 1, 2: Anode
- 3: Cathode

Symbol	Conditions ( $T_J = 25^\circ\text{C}$ unless otherwise specified)	Characteristic Values		
		Typ.	Max.	
$I_R$ ①	$V_R = V_{RRM}$ $V_R = V_{RRM}'$ , $T_{VJ} = 125^\circ\text{C}$	2.5	1.0	mA mA
$V_F$ ②	$I_F = 2 \text{ A}$ ; $T_{VJ} = 125^\circ\text{C}$ $I_F = 2 \text{ A}$	0.48	0.75	V V
$R_{thJS}$	Thermal resistance junction-to-PC board		80	K/W
$C_T$	$V_R = 25 \text{ V}$ ; $f = 1 \text{ MHz}$	190		pF

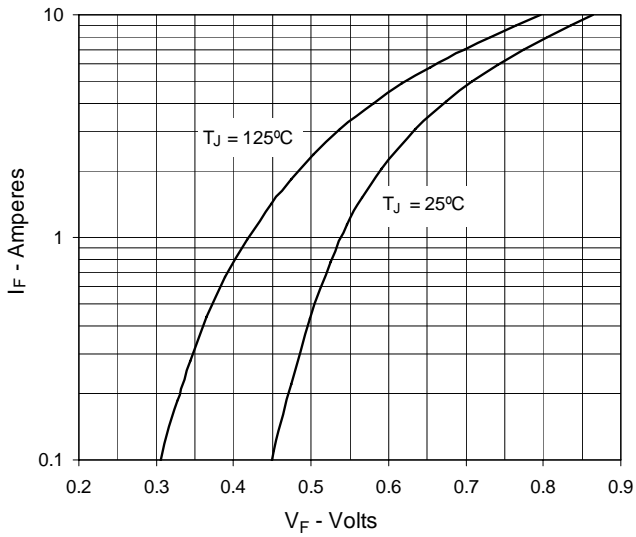
Pulse test: ① Pulse Width = 5 ms, Duty Cycle < 2.0 %  
 ② Pulse Width = 300  $\mu\text{s}$ , Duty Cycle < 2.0 %

#### Ordering Information

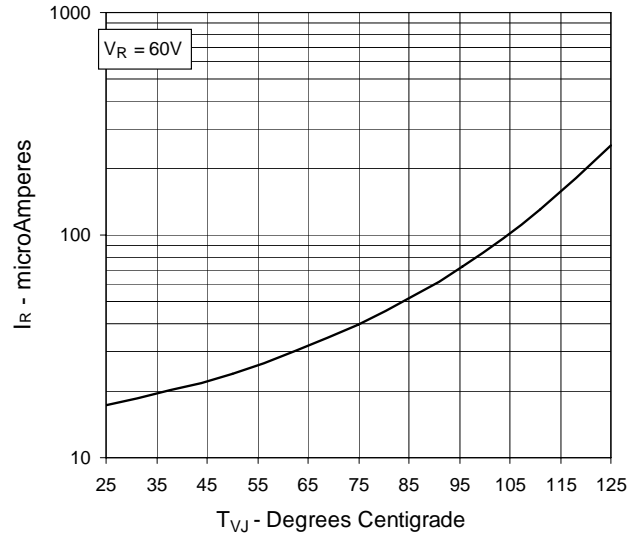
Part Number	Shipping Container	Quantity
DSS2-10AT2	Bulk	1,000
DSS 2-60AT2AP	Ammo Pack	2,000

SYMBOL	INCHES			
	MIN	MAX	NOMINAL	TOLERANCE
A	0.175	0.185	0.180	
B	0.168	0.174	0.171	
C	0.046	0.054	0.050	
C1				
D	0.016	0.020	0.018	
E	0.175	0.185	0.180	
F	0.500	0.585	0.578	
G	0.048	0.051	0.050	
H	0.138	0.144	0.140	
I	0.014	0.016	0.015	
J	0.095	0.099	0.097	

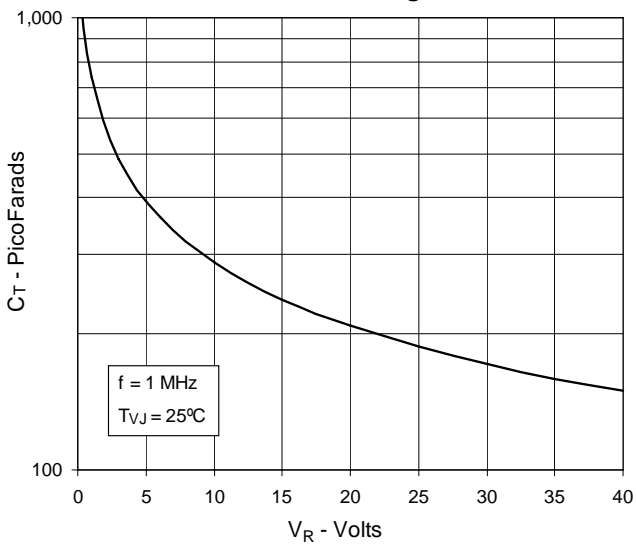
**Fig. 1. Typical Forward Current vs. Forward Voltage**



**Fig. 2. Typical Reverse Current vs. Virtual Junction Temperature**



**Fig. 3. Typical Junction Capacitance vs. Reverse Voltage**



**Fig. 4. Maximum Transient Thermal Resistance**

