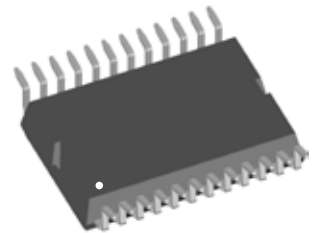
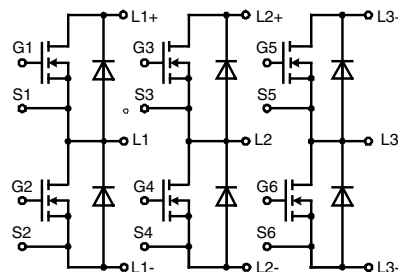


Three phase full Bridge

with Trench MOSFETs
in DCB isolated high current package

$V_{DSS} = 150\text{ V}$
 $I_{D25} = 57\text{ A}$
 $R_{DSon\ typ.} = 17\text{ m}\Omega$



MOSFETs		Maximum Ratings			
Symbol	Conditions				
V_{DSS}	$T_{VJ} = 25^{\circ}\text{C to } 150^{\circ}\text{C}$	150	V		
V_{GS}		± 20	V		
I_{D25}	$T_C = 25^{\circ}\text{C}$	57	A		
I_{D90}	$T_C = 90^{\circ}\text{C}$	45	A		
I_{D110}	$T_C = 110^{\circ}\text{C}$	43	A		
I_{F25}	$T_C = 25^{\circ}\text{C}$ (diode)	tbd	A		
I_{F90}	$T_C = 90^{\circ}\text{C}$ (diode)	tbd	A		
I_{F110}	$T_C = 110^{\circ}\text{C}$ (diode)	tbd	A		
Symbol		Characteristic Values			
($T_{VJ} = 25^{\circ}\text{C}$, unless otherwise specified)					
		min.	typ.	max.	
$R_{DSon}^{1)}$	on chip level at $V_{GS} = 10\text{ V}$	$T_{VJ} = 25^{\circ}\text{C}$	17	22	$\text{m}\Omega$
		$T_{VJ} = 125^{\circ}\text{C}$		36	$\text{m}\Omega$
$V_{GS(th)}$	$V_{DS} = 20\text{ V}; I_D = 1\text{ mA}$	2.5		4.5	V
I_{DSS}	$V_{DS} = V_{DSS}; V_{GS} = 0\text{ V}$		0.1	1	μA mA
I_{GSS}	$V_{GS} = \pm 20\text{ V}; V_{DS} = 0\text{ V}$			0.2	μA
Q_g	$V_{GS} = 10\text{ V}; V_{DS} = 65\text{ V}; I_D = 50\text{ A}$		tbd		nC
Q_{gs}			tbd		nC
Q_{gd}			tbd		nC
$t_{d(on)}$	inductive load $V_{GS} = 10\text{ V}; V_{DS} = 96\text{ V}$ $I_D = 50\text{ A}; R_G = 33\ \Omega;$ $T_J = 125^{\circ}\text{C}$		tbd		ns
t_r			tbd		ns
$t_{d(off)}$			tbd		ns
t_f			tbd		ns
E_{on}			tbd		mJ
E_{off}		tbd		mJ	
E_{recoff}		tbd		mJ	
R_{thJC}	with heat transfer paste (IXYS test setup)		1.3	1.0	K/W
R_{thJH}				1.6	K/W

¹⁾ $V_{DS} = I_D \cdot (R_{DS(on)} + 2R_{Pin\ to\ Chip})$

Applications

AC drives

- in automobiles
 - electric power steering
 - starter generator
- in industrial vehicles
 - propulsion drives
 - fork lift drives
- in battery supplied equipment

Features

- MOSFETs in trench technology:
 - low R_{DSon}
 - optimized intrinsic reverse diode
- package:
 - high level of integration
 - high current capability
 - aux. terminals for MOSFET control
 - terminals for soldering or welding connections
 - isolated DCB ceramic base plate with optimized heat transfer
- Space and weight savings

Source-Drain Diode

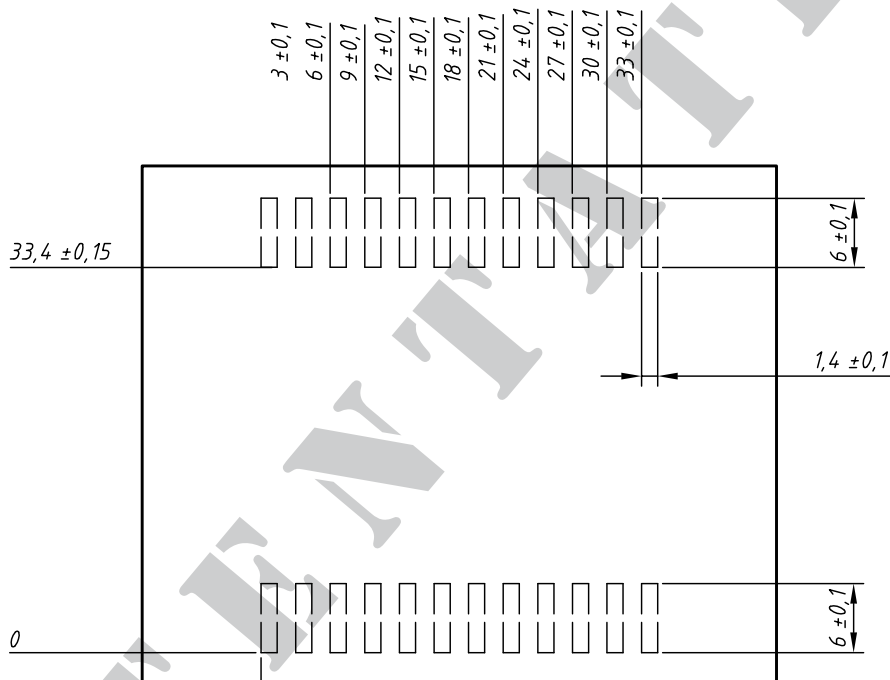
Symbol	Conditions	Characteristic Values			
		min.	typ.	max.	
V_{SD}	(diode) $I_F = 50\text{ A}; V_{GS} = 0\text{ V}$		0.9	1.2	V
t_{rr}	$I_F = 50\text{ A}; -di_F/dt = 800\text{ A}/\mu\text{s}; V_R = 96\text{ V}$		tbd		ns
Q_{RM}			tbd		μC
I_{RM}			tbd		A

Component

Symbol	Conditions	Maximum Ratings	
I_{RMS}	per pin in main current paths (P+, N-, L1, L2, L3) may be additionally limited by external connections 2 pins for output L1, L2, L3	75	A
T_J		-55...+175	$^{\circ}\text{C}$
T_{stg}		-55...+125	$^{\circ}\text{C}$
V_{ISOL}	$I_{ISOL} \leq 1\text{ mA}, 50/60\text{ Hz}, f = 1\text{ minute}$	1000	V~
F_C	mounting force with clip	50 - 250	N

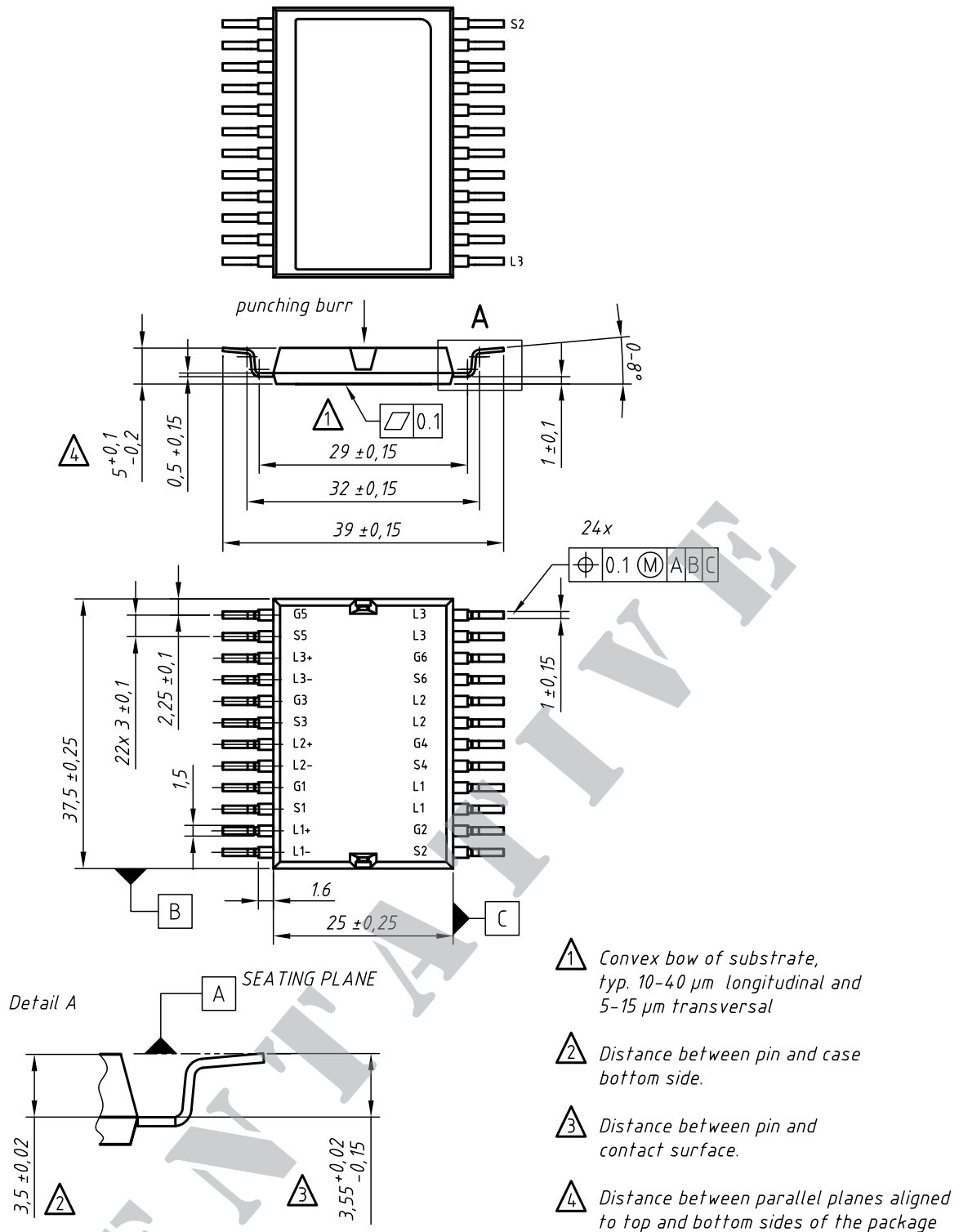
Symbol	Conditions	Characteristic Values		
		min.	typ.	max.
$R_{pin\ to\ chip}^{1)}$			tbd	$\text{m}\Omega$
C_P	coupling capacity between shorted pins and back side metallization		160	pF
Weight			25	g

¹⁾ $V_{DS} = I_D \cdot (R_{DS(on)} + 2R_{Pin\ to\ Chip})$



Remarks:

- 1) pin layout / dimensions are conditionally
- 2) soldering paste thickness: 200 μm



contact pin:

- galv. tin plating, per pin side: Sn 10...25 μm , undercoating Ni 0,2...1 μm
- stamping edges may be free of tin
- punching burr: $\leq 0,05\text{mm}$

Leads	Ordering	Part Name & Packing Unit Marking	Part Marking	Delivering Mode	Base Qty.	Ordering Code
SMD	Standard	GMM 3x60-015X2 - SMD	GMM 3x60-015X2	Blister	28	510635