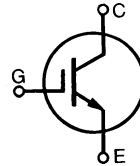


# IGBT

## IXGA/IXGP12N100 IXGA/IXGP12N100A

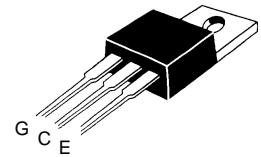
$V_{CES}$	$I_{C25}$	$V_{CE(sat)}$
1000 V	24 A	3.5 V
1000 V	24 A	4.0 V

Preliminary Data Sheet

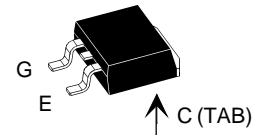


Symbol	Test Conditions	Maximum Ratings
$V_{CES}$	$T_J = 25^\circ\text{C}$ to $150^\circ\text{C}$	1000 V
$V_{CGR}$	$T_J = 25^\circ\text{C}$ to $150^\circ\text{C}$ ; $R_{GE} = 1\text{ M}\Omega$	1000 V
$V_{GES}$	Continuous	$\pm 20$ V
$V_{GEM}$	Transient	$\pm 30$ V
$I_{C25}$	$T_C = 25^\circ\text{C}$	24 A
$I_{C90}$	$T_C = 90^\circ\text{C}$	12 A
$I_{CM}$	$T_C = 25^\circ\text{C}$ , 1 ms	48 A
<b>SSOA</b> <b>(RBSOA)</b>	$V_{GE} = 15\text{ V}$ , $T_{VJ} = 125^\circ\text{C}$ , $R_G = 150\ \Omega$ Clamped inductive load, $L = 300\ \mu\text{H}$	$I_{CM} = 24$ @ $0.8\ V_{CES}$ A
$P_C$	$T_C = 25^\circ\text{C}$	100 W
$T_J$		-55 ... +150 $^\circ\text{C}$
$T_{JM}$		150 $^\circ\text{C}$
$T_{stg}$		-55 ... +150 $^\circ\text{C}$
$M_d$	Mounting torque with screw M3 Mounting torque with screw M3.5	0.45/4 Nm/lb.in. 0.55/5 Nm/lb.in.
<b>Weight</b>		4 g
Maximum lead temperature for soldering 1.6 mm (0.062 in.) from case for 10 s		300 $^\circ\text{C}$

### TO-220AB (IXGP)



### TO-263 (IXGA)



### Features

- International standard packages JEDEC TO-220AB and TO-263AA
- Second generation HDMOS™ process
- Low  $V_{CE(sat)}$ 
  - for minimum on-state conduction losses
- MOS Gate turn-on
  - drive simplicity

### Applications

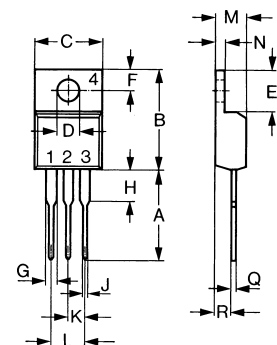
- AC motor speed control
- DC servo and robot drives
- DC choppers
- Uninterruptible power supplies (UPS)
- Switch-mode and resonant-mode power supplies

### Advantages

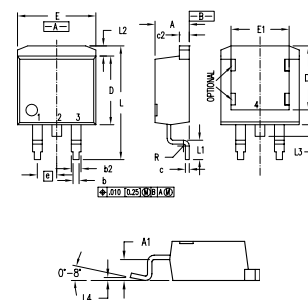
- Easy to mount with one screw
- Reduces assembly time and cost
- High power density

Symbol	Test Conditions ( $T_J = 25^\circ\text{C}$ , unless otherwise specified)	Characteristic Values		
		Min.	Typ.	Max.
$BV_{CES}$	$I_C = 3\text{ mA}$ , $V_{GE} = 0\text{ V}$	1000		V
$V_{GE(th)}$	$I_C = 250\ \mu\text{A}$ , $V_{GE} = V_{GE}$	2.5		V
$I_{CES}$	$V_{CE} = 0.8$ , $V_{CES}$ $V_{GE} = 0\text{ V}$	$T_J = 25^\circ\text{C}$		250 $\mu\text{A}$
		$T_J = 125^\circ\text{C}$		1 mA
$I_{GES}$	$V_{CE} = 0\text{ V}$ , $V_{GE} = \pm 20\text{ V}$			$\pm 100$ nA
$V_{CE(sat)}$	$I_C = I_{CE90}$ , $V_{GE} = 15$	12N100		3.5 V
		12N100A		4.0 V

Symbol	Test Conditions ( $T_J = 25^\circ\text{C}$ , unless otherwise specified)	Characteristic Values			
		Min.	Typ.	Max.	
$g_{fs}$	$I_C = I_{C90}$ ; $V_{CE} = 10\text{ V}$ , Pulse test, $t \leq 300\ \mu\text{s}$ , duty cycle $\leq 2\%$	6	10	S	
$Q_g$	$I_C = I_{C90}$ ; $V_{GE} = 15\text{ V}$ , $V_{CE} = 0.5 V_{CES}$		65	90	
$Q_{ge}$			8	20	
$Q_{gc}$			24	45	
$t_{d(on)}$	<b>Inductive load, <math>T_J = 25^\circ\text{C}</math></b> $I_C = I_{C90}$ , $V_{GE} = 15\text{ V}$ , $L = 300\ \mu\text{H}$ $V_{CE} = 800\text{ V}$ , $R_G = R_{off} = 120\ \Omega$ Remarks: Switching times may increase for $V_{CE}$ (Clamp) $> 0.8 V_{CES}$ , higher $T_J$ or increased $R_G$		100	ns	
$t_{ri}$			200	ns	
$t_{d(off)}$			850	1000	
$t_{fi}$		12N100A	500	700	
		12N100	800	1000	
$E_{off}$		12N100A	2.5	4	
$t_{d(on)}$	<b>Inductive load, <math>T_J = 125^\circ\text{C}</math></b> $I_C = I_{C90}$ , $V_{GE} = 15\text{ V}$ , $L = 300\ \mu\text{H}$ $V_{CE} = 800\text{ V}$ , $R_G = R_{off} = 120\ \Omega$ Remarks: Switching times may increase for $V_{CE}$ (Clamp) $> 0.8 V_{CES}$ , higher $T_J$ or increased $R_G$		100	ns	
$t_{ri}$			200	ns	
$E_{on}$			1.1	mJ	
$t_{d(off)}$		12N100A	900	ns	
$t_{fi}$		12N100	1250	ns	
$E_{off}$		12N100A	4	mJ	
		12N100	6	mJ	
$R_{thJC}$				1.25	K/W
$R_{thCK}$			0.25		K/W

**TO-220 AB (IXGP) Outline**


Dim.	Millimeter		Inches	
	Min.	Max.	Min.	Max.
A	12.70	13.97	0.500	0.550
B	14.73	16.00	0.580	0.630
C	9.91	10.66	0.390	0.420
D	3.54	4.08	0.139	0.161
E	5.85	6.85	0.230	0.270
F	2.54	3.18	0.100	0.125
G	1.15	1.65	0.045	0.065
H	2.79	5.84	0.110	0.230
J	0.64	1.01	0.025	0.040
K	2.54	BSC	0.100	BSC
M	4.32	4.82	0.170	0.190
N	1.14	1.39	0.045	0.055
Q	0.35	0.56	0.014	0.022
R	2.29	2.79	0.090	0.110

**TO-263 AA (IXGA) Outline**


Dim.	Millimeter		Inches	
	Min.	Max.	Min.	Max.
A	4.06	4.83	.160	.190
A1	2.03	2.79	.080	.110
b	0.51	0.99	.020	.039
b2	1.14	1.40	.045	.055
c	0.46	0.74	.018	.029
c2	1.14	1.40	.045	.055
D	8.64	9.65	.340	.380
D1	7.11	8.13	.280	.320
E	9.65	10.29	.380	.405
E1	6.86	8.13	.270	.320
e	2.54	BSC	.100	BSC
L	14.61	15.88	.575	.625
L1	2.29	2.79	.090	.110
L2	1.02	1.40	.040	.055
L3	1.27	1.78	.050	.070
L4	0	0.38	0	.015
R	0.46	0.74	.018	.029

**Min. Recommended Footprint**
