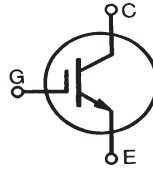


HiPerFAST™ IGBT

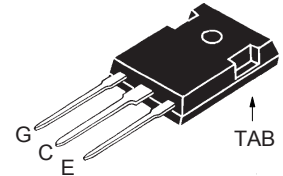
Short Circuit SOA Capability

IXSH24N60
IXSH24N60A

V_{CES}	I_{C90}	$V_{CE(sat)}$
600V	24A	2.2V
600V	24A	2.7V



Symbol	Test Conditions	Maximum Ratings	
V_{CES}	$T_J = 25^\circ\text{C}$ to 150°C	600	V
V_{CGR}	$T_J = 25^\circ\text{C}$ to 150°C , $R_{GE} = 1\text{M}\Omega$	600	V
V_{GES}	Continuous	± 20	V
V_{GEM}	Transient	± 30	V
I_{C25}	$T_C = 25^\circ\text{C}$	48	A
I_{C90}	$T_C = 90^\circ\text{C}$	24	A
I_{CM}	$T_C = 25^\circ\text{C}$, 1ms	96	A
SSOA	$V_{GE} = 15\text{V}$, $T_J = 125^\circ\text{C}$, $R_G = 10\Omega$	$I_{CM} = 48$	A
(RBSOA)	Clamped inductive load	$@0.8 \cdot V_{CES}$	V
t_{SC} (SCSOA)	$V_{GE} = 15\text{V}$, $V_{CE} = 360\text{V}$, $T_J = 125^\circ\text{C}$ $R_G = 82\Omega$, non repetitive	10	μs
P_C	$T_C = 25^\circ\text{C}$	150	W
T_J		-55 ... +150	$^\circ\text{C}$
T_{JM}		150	$^\circ\text{C}$
T_{stg}		-55 ... +150	$^\circ\text{C}$
M_d	Mounting torque	1.13 / 10	Nm/lb.in.
T_L	Maximum lead temperature for soldering	300	$^\circ\text{C}$
T_{SOLD}	1.6mm (0.062 in.) from case for 10s	260	$^\circ\text{C}$
Weight		6	g

TO-247 (IXSH)


G = Gate C = Collector
E = Emitter TAB = Collector

Features

- International standard package JEDEC TO-247AD
- High frequency IGBT with guaranteed Short Circuit SOA Capability
- 2nd generation HDMOS™ process
- Low $V_{CE(SAT)}$
- for low on-state conduction losses
- MOS Gate turn-on
- drive simplicity

Applications

- AC motor speed control
- DC servo and robot drives
- DC choppers
- Uninterruptible power supplies (UPS)
- Switch-mode and resonant-mode power supplies
- Welding

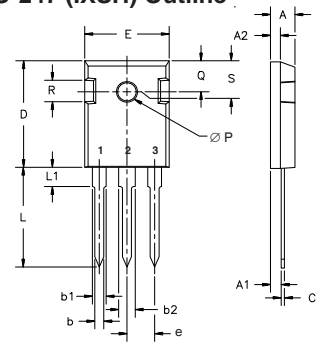
Advantages

- Easy to mount with 1 screw (isolated mounting screw hole)
- Switching speed for high frequency applications
- High power density

Symbol	Test Conditions ($T_J = 25^\circ\text{C}$, unless otherwise specified)	Characteristic Values		
		Min.	Typ.	Max.
BV_{CES}	$I_C = 250\mu\text{A}$, $V_{CE} = V_{GE}$	600		V
$V_{GE(th)}$	$I_C = 1.5\text{mA}$, $V_{CE} = V_{GE}$	4.0		7.0 V
I_{CES}	$V_{CE} = 0.8 \cdot V_{CES}$ $V_{GE} = 0\text{V}$ $T_J = 125^\circ\text{C}$			200 μA 1 mA
I_{GES}	$V_{CE} = 0\text{V}$, $V_{GE} = \pm 20\text{V}$			± 100 nA
$V_{CE(sat)}$	$I_C = 24\text{A}$, $V_{GE} = 15\text{V}$, Note 1	IXSH24N60 IXSH24N60A		2.2 V 2.7 V

Symbol	Test Conditions ($T_J = 25^\circ\text{C}$, unless otherwise specified)	Characteristic Values			
		Min.	Typ.	Max.	
g_{fs}	$I_C = 24\text{A}$, $V_{CE} = 10\text{V}$, Note 1	9	23	S	
$I_{C(ON)}$	$V_{GE} = 15\text{V}$, $V_{CE} = 10\text{V}$		65	A	
C_{ies}	$V_{CE} = 25\text{V}$, $V_{GE} = 0\text{V}$, $f = 1\text{MHz}$		1800	pF	
C_{oes}			160	pF	
C_{res}			45	pF	
Q_g	$I_C = 24\text{A}$, $V_{GE} = 15\text{V}$, $V_{CE} = 0.5 \cdot V_{CES}$		75	90	nC
Q_{ge}			20	30	nC
Q_{gc}			35	50	nC
$t_{d(on)}$	Inductive load, $T_J = 25^\circ\text{C}$ $I_C = 24\text{A}$, $V_{GE} = 15\text{V}$ $V_{CE} = 480\text{V}$, $R_G = 10\Omega$		100	ns	
t_{ri}			200	ns	
$t_{d(off)}$			450	ns	
t_{fi}		IXSH24N60	500	ns	
E_{off}		IXSH24N60A	275	ns	
	IXSH24N60A	2.0	mJ		
$t_{d(on)}$	Inductive load, $T_J = 125^\circ\text{C}$ $I_C = 24\text{A}$, $V_{GE} = 15\text{V}$ $V_{CE} = 480\text{V}$, $R_G = 10\Omega$		100	ns	
t_{ri}			200	ns	
E_{on}			1.2	mJ	
$t_{d(off)}$		IXSH24N60	475	ns	
		IXSH24N60A	600	ns	
t_{fi}		IXSH24N60	450	ns	
E_{off}	IXSH24N60	4.0	mJ		
	IXSH24N60A	3.0	mJ		
R_{thJC}			0.83	$^\circ\text{C/W}$	
R_{thCK}		0.21		$^\circ\text{C/W}$	

TO-247 (IXSH) Outline



Terminals: 1 - Gate 2 - Drain
3 - Source Tab - Drain

Dim.	Millimeter		Inches	
	Min.	Max.	Min.	Max.
A	4.7	5.3	.185	.209
A ₁	2.2	2.54	.087	.102
A ₂	2.2	2.6	.059	.098
b	1.0	1.4	.040	.055
b ₁	1.65	2.13	.065	.084
b ₂	2.87	3.12	.113	.123
C	.4	.8	.016	.031
D	20.80	21.46	.819	.845
E	15.75	16.26	.610	.640
e	5.20	5.72	0.205	0.225
L	19.81	20.32	.780	.800
L1		4.50		.177
ØP	3.55	3.65	.140	.144
Q	5.89	6.40	0.232	0.252
R	4.32	5.49	.170	.216
S	6.15	BSC	242	BSC

Notes: 1. Pulse test, $t \leq 300\mu\text{s}$; duty cycle, $d \leq 2\%$.

ADVANCE TECHNICAL INFORMATION

The product presented herein is under development. The Technical Specifications offered are derived from a subjective evaluation of the design, based upon prior knowledge and experience, and constitute a "considered reflection" of the anticipated result. IXYS reserves the right to change limits, test conditions, and dimensions without notice.

IXYS reserves the right to change limits, test conditions, and dimensions.

IXYS MOSFETs and IGBTs are covered 4,835,592 4,931,844 5,049,961 5,237,481 6,162,665 6,404,065 B1 6,683,344 6,727,585 7,005,734 B2 7,157,338B2
by one or more of the following U.S. patents: 4,850,072 5,017,508 5,063,307 5,381,025 6,259,123 B1 6,534,343 6,710,405 B2 6,759,692 7,063,975 B2
4,881,106 5,034,796 5,187,117 5,486,715 6,306,728 B1 6,583,505 6,710,463 6,771,478 B2 7,071,537